

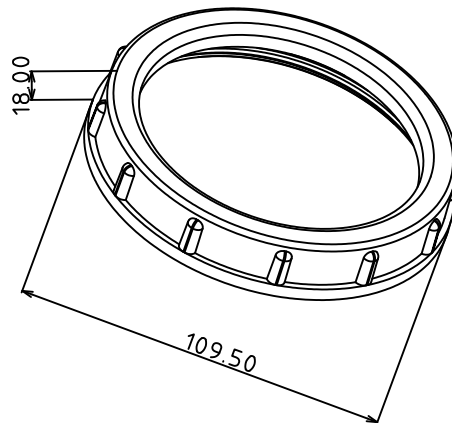
MODEL :		TYPE
PROJECT :		
PREPARED BY :	DATE :	

## SERIES SPECIFICATIONS

WI PLASTIC BUSHING 3-1/2"



## LINE DRAWING



## CONSTRUCTION

Material  
PVC

Rating  
105°C

Federal Spec  
A-A-50553

## DIMENSION

Trade Size  
3 1/2"

APPLICATION AND PERFORMANCE SPECIFICATION INFORMATION IS SUBJECT TO CHANGE WITHOUT NOTIFICATION

MODEL :		TYPE
PROJECT :		
PREPARED BY :	DATE :	

ORDERING INFORMATION

Part Number: WI CPB350

Package Qty: 20 PCS

IMS Code: 0283-0995

APPLICATION AND PERFORMANCE SPECIFICATION INFORMATION IS SUBJECT TO CHANGE WITHOUT NOTIFICATION