

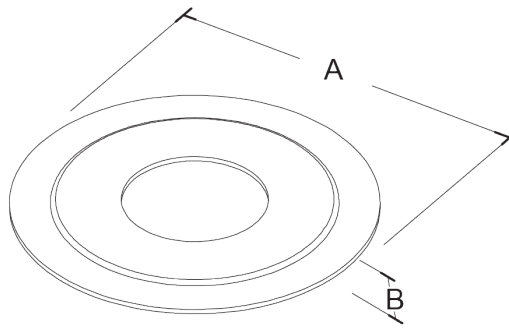
MODEL :		TYPE
PROJECT :		
PREPARED BY :	DATE :	

SERIES SPECIFICATIONS

WI REDUCING WASHER 1" X 3/4"



LINE DRAWING



CONSTRUCTION

Material
Zinc Plated Steel

Finish
Zinc Plated Steel

Flamability Rating
Suitable for Dry locations

Trade Size
1" X 3/4"

DIMENSION

A (In.)
1.74

A (mm)
44.196

B (In.)
0.05

B (mm)
1.27

APPLICATION AND PERFORMANCE SPECIFICATION INFORMATION IS SUBJECT TO CHANGE WITHOUT NOTIFICATION

MODEL :		TYPE
PROJECT :		
PREPARED BY :		DATE :

ORDERING INFORMATION

Part Number: WI MR4

IMS Code: 0284-3298

APPLICATION AND PERFORMANCE SPECIFICATION INFORMATION IS SUBJECT TO CHANGE WITHOUT NOTIFICATION