

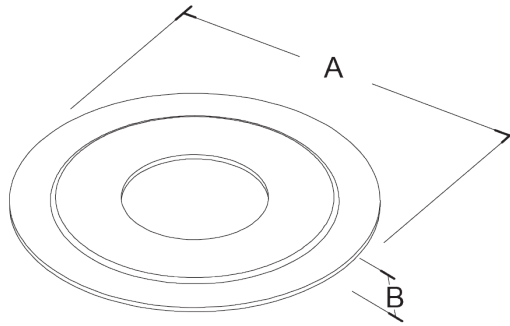
MODEL :		TYPE
PROJECT :		
PREPARED BY :	DATE :	

SERIES SPECIFICATIONS

WI REDUCING WASHER 1-1/4" X 1/2"



LINE DRAWING



CONSTRUCTION

Material
Zinc Plated Steel

Finish
Zinc Plated Steel

Flamability Rating
Suitable for Dry locations

Trade Size
1-1/4" X 1/2"

DIMENSION

A (In.)
2.19

A (mm)
55.626

B (In.)
0.05

B (mm)
1.27

APPLICATION AND PERFORMANCE SPECIFICATION INFORMATION IS SUBJECT TO CHANGE WITHOUT NOTIFICATION

MODEL :		TYPE
PROJECT :		
PREPARED BY :		DATE :

ORDERING INFORMATION

Part Number: WI MR5

IMS Code: 0284-3313

APPLICATION AND PERFORMANCE SPECIFICATION INFORMATION IS SUBJECT TO CHANGE WITHOUT NOTIFICATION