

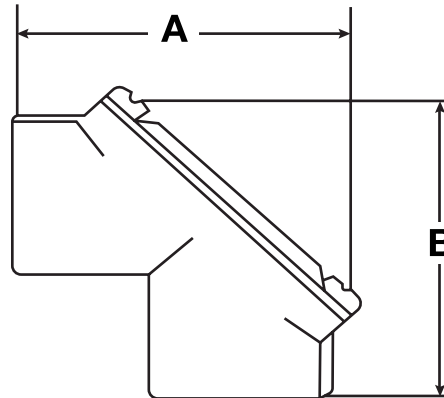
CONTRACTOR	
PROJECT	DATE
PREPARED BY	MODEL : WI ML141

SERIES SPECIFICATIONS

Female to Female 90 degree malleable pull elbow.



LINE DRAWING



CONSTRUCTION

Material
Malleable Iron

Gasket Material
Neoprene

Cover Material
Stamped Steel

CERTIFICATIONS/WARRANTY

Listing
UL Listed

Location Rating:
Suitable for damp locations

APPLICATION AND PERFORMANCE SPECIFICATION INFORMATION IS SUBJECT TO CHANGE WITHOUT NOTIFICATION

CONTRACTOR	
PROJECT	DATE
PREPARED BY	MODEL : WI ML141

ORDERING INFORMATION

Catalog Number	Trade Size	A IN.	B IN.	IMS Code
WI ML141-1	1/2"	2 3/16	2 3/16	0285-3054
WI ML141-2	3/4"	2 5/16	2 5/16	0285-3057
WI ML141-3	1"	3 1/16	3 1/16	0285-3060
WI ML141-4	1 1/4"	3 5/8	3 5/8	0285-3063
WI ML141-5	1 1/2"	4 1/16	4 1/16	0285-3066
WI ML141-6	2"	4 1/2	4 1/2	0285-3069

APPLICATION AND PERFORMANCE SPECIFICATION INFORMATION IS SUBJECT TO CHANGE WITHOUT NOTIFICATION