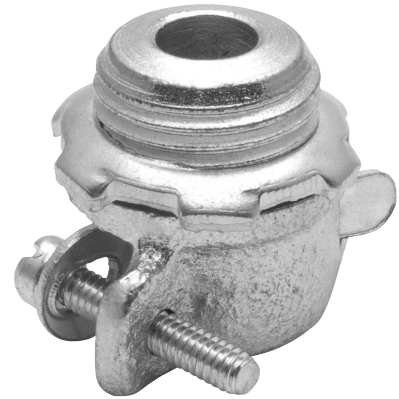


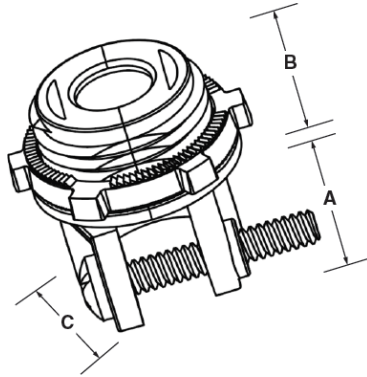
|               |        |      |
|---------------|--------|------|
| MODEL :       |        | TYPE |
| PROJECT :     |        |      |
| PREPARED BY : | DATE : |      |

## SERIES SPECIFICATIONS

WI SQUEEZE CONN 1/2



## LINE DRAWING



## CONSTRUCTION

Material  
Malleable Iron

Finish  
Zinc Plated

Trade Size  
1/2"

## DIMENSION

A (In.)  
1"

B (In.)  
7/16"

C (In.)  
1-5/8"

APPLICATION AND PERFORMANCE SPECIFICATION INFORMATION IS SUBJECT TO CHANGE WITHOUT NOTIFICATION

|               |  |        |
|---------------|--|--------|
| MODEL :       |  | TYPE   |
| PROJECT :     |  |        |
| PREPARED BY : |  | DATE : |

## ORDERING INFORMATION

Part Number: WI ML42-1

IMS Code: 2853075

APPLICATION AND PERFORMANCE SPECIFICATION INFORMATION IS SUBJECT TO CHANGE WITHOUT NOTIFICATION



404 NW ENTERPRISE DR. PORT ST. LUCIE, FL 34986 | 772.408.5213 | WWW.CENTAURINSTALLATION.COM