

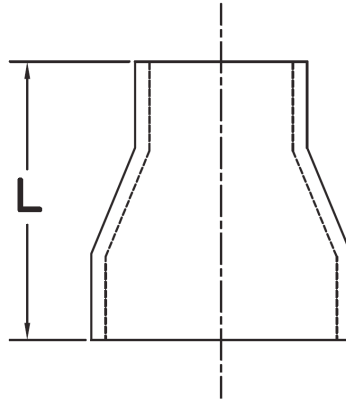
CONTRACTOR	
PROJECT	DATE
PREPARED BY	MODEL :

## SERIES SPECIFICATIONS

4" X 3" FABRICATED PVC SWEDGE REDUCER COUPLING



## LINE DRAWING



## CONSTRUCTION

**Material**

PVC

**Color**

Gray

**Size**

4 x 3"

**Length (in.)**

7.0"

## ORDERING INFORMATION

**Part Number:** SW43

**Item Weight (lbs.):** 0.849

APPLICATION AND PERFORMANCE SPECIFICATION INFORMATION IS SUBJECT TO CHANGE WITHOUT NOTIFICATION