



# CENTAUR PVC

635 NW Enterprise Dr. Port St Lucie, FL 34986  
tel: (772) 344-9436 or on the web @ [www.centaurpvc.com](http://www.centaurpvc.com)

## SPECIFICATION & FEATURES

Catalog Number
Notes
Job/Title

### DESCRIPTION:

PVC Electrical standard radius elbow. PVC conduit, cut to length, is heated in order to bend into a 90 degree allowing you to change direction of a conduit run.

### USES:

Elbows can be used above ground or direct burial and are suitable for concrete encasement.

### CONNECTIONS:

For best results use CMT-SPEC PVC Clear Regular Bodied Cement along with a clear cleaner or purple primer.  
SEE MATERIAL SAFETY DATA SHEET (MSDS) FOR COMPLETE PRECAUTIONS FOR SAFE HANDLING AND USE.

### COMPLIANCE:

UL listed, conforms to UL 651

# EL

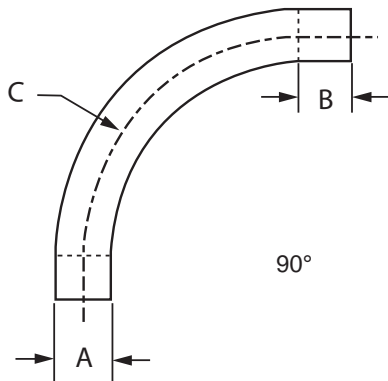
## Standard Radius 90° Elbows



90° ELBOW



### DIMENSIONS DATA



### Schedule 40 & 80 Standard Radius Elbows

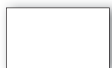
Size (in.)	A (in.)	B (in.)	C (in.)
1/2	0.840	1.500	4.000
3/4	1.050	1.500	4.500
1	1.315	1.875	5.750
1 1/4	1.660	2.000	7.250
1 1/2	1.900	2.000	8.250
2	2.375	2.000	9.500
2 1/2	2.750	3.000	10.500
3	3.500	3.125	13.000
3 1/2*	4.000	3.250	15.000
4	4.500	3.375	16.000
5	5.563	3.625	24.000
6	6.625	3.750	30.000

\*3 1/2" Not available in Schedule 80

### ORDERING INFORMATION

## EL

Sample Part Code: EL904125



**SERIES**

EL: Standard Elbow Series



**BEND ANGLE**

90: 90°



**SCHEDULE**

4: Schedule 40  
8: Schedule 80



**TRADE SIZE**

05: 1/2"    25: 2 1/2"  
07: 3/4"    3: 3"  
1: 1"        35: 3 1/2"  
125: 1 1/4"    4: 4"  
15: 1 1/2"    5: 5"  
2: 2"        6: 6"

