

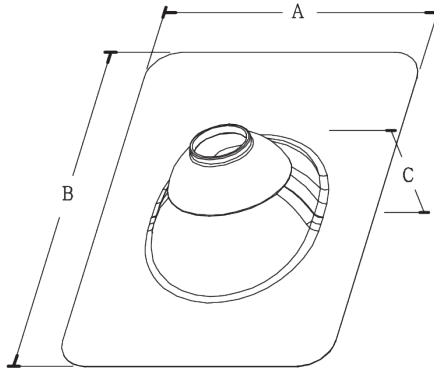
MODEL :		TYPE
PROJECT :		
PREPARED BY :	DATE :	

SERIES SPECIFICATIONS

ROOF FLASHING W/RUBBER BOOT 2"



LINE DRAWING



CONSTRUCTION

Material
zinc plated-Steel

Boot Material
neoprene

DIMENSION

Trade Size
2"

Hole Size
2"

A (In.)
10.75

A (mm)
273.05

B (In.)
14.53

B (mm)
369.062

APPLICATION AND PERFORMANCE SPECIFICATION INFORMATION IS SUBJECT TO CHANGE WITHOUT NOTIFICATION

MODEL :		TYPE
PROJECT :		
PREPARED BY :	DATE :	

DIMENSION

C (In.)	C (mm)
14.53	369.062

ORDERING INFORMATION

Part Number: WI P-40

IMS Code: 2937663

APPLICATION AND PERFORMANCE SPECIFICATION INFORMATION IS SUBJECT TO CHANGE WITHOUT NOTIFICATION