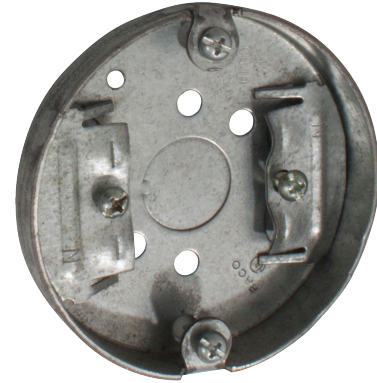


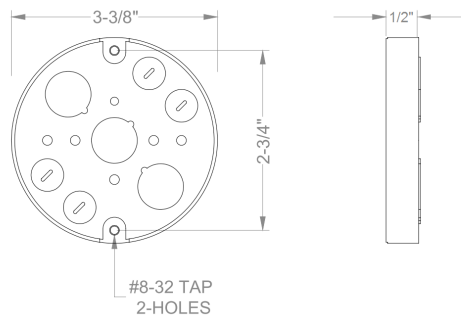
MODEL :		TYPE
PROJECT :		
PREPARED BY :	DATE :	

SERIES SPECIFICATIONS

3-1/2" PANCAKE BOX, 1/2" DEEP, WITH NM C



LINE DRAWING



CONSTRUCTION

Material
16 Ga Sheet Steel

Clamp Type
Accommodates #14-2
Non-Metallic Sheathed Ca-
bles with ground

DIMENSIONS

Depth (In.)
1/2

Diameter (In.)
3 3/8

Knockouts
(1) - 1/2", (4) - Circ.Pryouts

Cover Screw
8-32

Cover Screw Spacing
2 3/4

Cubic In.
3.9

APPLICATION AND PERFORMANCE SPECIFICATION INFORMATION IS SUBJECT TO CHANGE WITHOUT NOTIFICATION

MODEL :	TYPE
PROJECT :	
PREPARED BY :	DATE :

ORDERING INFORMATION

Part Number: CM-3PB-NM

Case Weight (lbs.): 13

Case Quantity: 50 PCS

APPLICATION AND PERFORMANCE SPECIFICATION INFORMATION IS SUBJECT TO CHANGE WITHOUT NOTIFICATION