

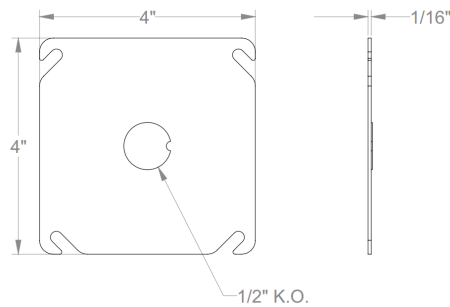
MODEL :		TYPE
PROJECT :		
PREPARED BY :	DATE :	

SERIES SPECIFICATIONS

4" SQ. COVER, FLAT, 1/2" K.O.



LINE DRAWING



CONSTRUCTION

Material
16 Ga Sheet Steel

Mfg. Process
Flat

Finish
Galvanized

DIMENSIONS

Width (In.)
4

Height (In.)
4

Depth (In.)
1/16

Cubic In.
N/A

Device Mounting Hole Spacing
N/A

Device Mounting Hole Thread
N/A

No. of Gangs
1/2" KO

APPLICATION AND PERFORMANCE SPECIFICATION INFORMATION IS SUBJECT TO CHANGE WITHOUT NOTIFICATION

MODEL :		TYPE
PROJECT :		
PREPARED BY :	DATE :	

ORDERING INFORMATION

Part Number: CM-4BCK

Case Weight (lbs.): 10.5

Case Quantity: 50 PCS

APPLICATION AND PERFORMANCE SPECIFICATION INFORMATION IS SUBJECT TO CHANGE WITHOUT NOTIFICATION