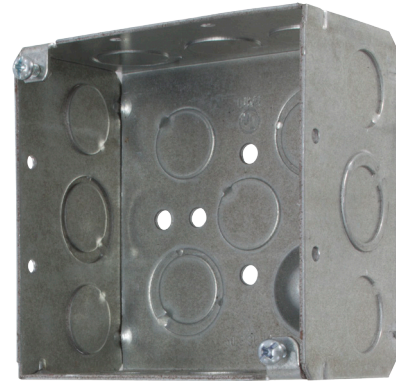


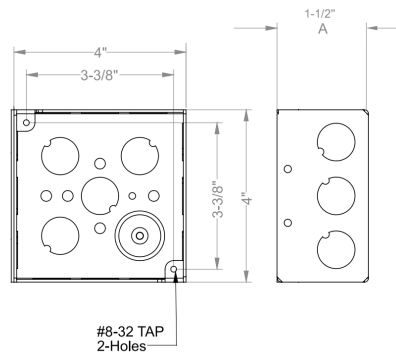
MODEL :		TYPE
PROJECT :		
PREPARED BY :	DATE :	

SERIES SPECIFICATIONS

4" SQ. DEEP BOX, 2-1/8" DEEP, M. K.O. -



LINE DRAWING



CONSTRUCTION

Material
16 Ga Sheet Steel

Mfg. Process
Welded

Finish
Galvanized

DIMENSIONS

Width (In.)
4

Height (In.)
4

Depth (In.)
2 1/8

KO Sides
Sides(8) - 1/2", (4) - MKO

KO Bottom
(2) - 1/2", (2) - MKO

MKO Knockout
1/2" and 3/4"

Cover Screw Spacing
3 3/8

Ground Screw Size
Oct-32

Cubic In.
30.3

APPLICATION AND PERFORMANCE SPECIFICATION INFORMATION IS SUBJECT TO CHANGE WITHOUT NOTIFICATION

MODEL :		TYPE
PROJECT :		
PREPARED BY :	DATE :	

DIMENSIONS (Cont.)

Ground Emboss
Raised

Cover Screw
Aug-32

Bracket
NA

ORDERING INFORMATION

Part Number: CM-4SDB-MKO

Case Weight (lbs.): 20.5

Case Quantity: 24 PCS

APPLICATION AND PERFORMANCE SPECIFICATION INFORMATION IS SUBJECT TO CHANGE WITHOUT NOTIFICATION