

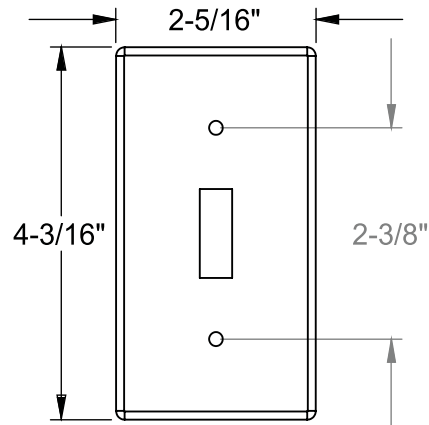
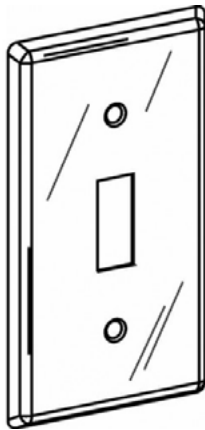
CONTRACTOR	
PROJECT	DATE
PREPARED BY	MODEL : CM-HBC-TS

SERIES SPECIFICATIONS

Centaur Handy Box Covers are manufactured from durable galvanized sheet steel, and are designed to house and protect electrical wiring, switches and receptacles. All Centaur steel covers are UL and RoHS listed. All covers have captive device screws.



LINE DRAWING



CONSTRUCTION

Material
Galvanized Steel

Make
Welded

Color
Galvanized

No. of Gangs
1

Width
2 5/16"

Height
4 3/16"

Plate Type
Toggle Switch

CERTIFICATIONS

Listing
UL Listed

Fire Rating
Acceptable for use in 2-hour fire rated walls.

APPLICATION AND PERFORMANCE SPECIFICATION INFORMATION IS SUBJECT TO CHANGE WITHOUT NOTIFICATION

CONTRACTOR	
PROJECT	DATE
PREPARED BY	MODEL : CM-HBC-TS

ORDERING INFORMATION

Part Number: CM-HBC-TS

Case Dimensions (in.): ???

Case Quantity: 25 PCS

Item Weight (lbs.): ???

Case Weight (lbs.): 2.25

UPC BARCODES

	GTIN-12	GTIN-14	IMS Code
CM-HBC-TS	190010380404	00190010380404	0262-8207



APPLICATION AND PERFORMANCE SPECIFICATION INFORMATION IS SUBJECT TO CHANGE WITHOUT NOTIFICATION