



CENTAUR STEEL

635 NW Enterprise Dr. Port St Lucie, FL 34986
 tel: (772) 344-9436 or on the web @ www.centaursteel.com

SPECIFICATION & FEATURES

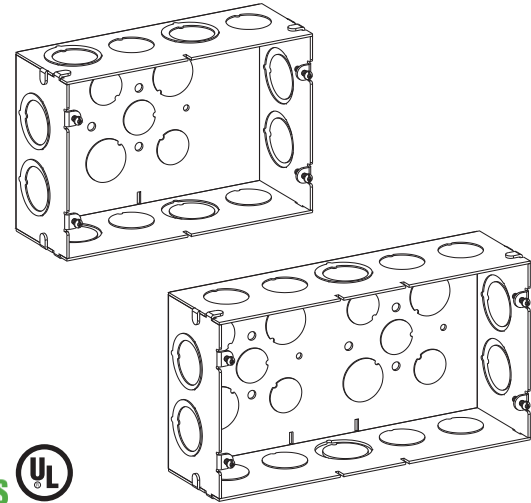
Catalog Number
Notes
Job/Title

CM-SDB

MULTIGANG DEEP SWITCH BOXES 2-1/2" DEEP

DESCRIPTION:

Centaur Steel's Multigang Switch Boxes are used in the installation of lighting fixtures, switches, and other devices with a 2-1/2" depth. They are constructed from 16 gauge galvanized steel. Models support multiple gangs ranging from 2 to 6 gang. Bottom knockouts fit 1/2" and 3/4" conduits; side knockouts fit 1/2" and 3/4" conduits or 3/4" and 1" conduits. The low voltage partition is used to divide boxes into compartments.



CERTIFICATION:

UL file E227970, conforms to UL514A. acceptable for use in 2-hour fire rated walls.



FEATURES

Knockout:

50: 1/2" K.O.

75: 3/4" K.O.

MKO: Moon K.O.

DIMENSIONS

Depth: 2-1/2"

Other Dimensions see below

CONFIGURATION DATA

Catalog No.	No. of Gangs	Knockouts		W x H	Cu.In.	Std. Pkg.
		Sides	Bottom			
CM-SDB-2	2	4)-3/4", (8)-1/2"&3/4" MKO	(3)-1/2", (2)-3/4"	6-13/16"x4-9/16"	70.0	5
CM-SDB-3	3	(8)-3/4", (6)-1/2"&3/4" MKO	(6)-1/2", (4)-3/4"	8-5/8"x4-9/16"	90.0	5
CM-SDB-4	4	(4)-3/4", (8)-1/2"&3/4" MKO	(6)-1/2", (4)-3/4"	10-7/16"x4-9/16"	110.0	5
CM-SDB-5	5	(6)-3/4", (8)-1/2"&3/4" MKO	(6)-1/2", (4)-3/4"	12-1/4"x4-9/16"	130.0	5
CM-SDB-6	6	(6)-3/4", (8)-1/2"&3/4" MKO	(6)-1/2", (4)-3/4"	14-1/16"x4-9/16"	150.0	1
CM-SDBL-2	2	(4)-3/4", (8)-3/4" & 1" MKO	(3)-1/2", (2)-3/4"	6-13/16"x4-9/16"	70.0	5
CM-SDBL-3	3	(8)-3/4", (6)-3/4" & 1" MKO	(6)-1/2", (4)-3/4"	8-5/8"x4-9/16"	90.0	5
CM-SDBL-4	4	(4)-3/4", (8)-3/4" & 1" MKO	(6)-1/2", (4)-3/4"	10-7/16"x4-9/16"	110.0	5
CM-SDBL-5	5	(6)-3/4", (8)-3/4" & 1" MKO	(6)-1/2", (4)-3/4"	12-1/4"x4-9/16"	130.0	5
CM-SDBL-6	6	(6)-3/4", (8)-3/4" & 1" MKO	(6)-1/2", (4)-3/4"	14-1/16"x4-9/16"	150.0	1

