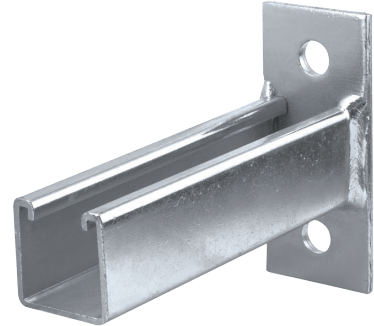


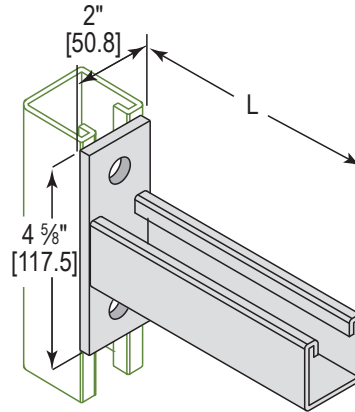
MODEL :		TYPE
PROJECT :		
PREPARED BY :	DATE :	

## SERIES SPECIFICATIONS

BRKT CHAN 1-5/8" CHAN 2 HOLE 9"



## LINE DRAWING



## CONSTRUCTION

Finish  
Electro-galvanized

Type  
2 Hole

## DIMENSION

Uniform Load (kN)  
4.45

Thickness  
1/4"

Width (In.)  
2"

Uniform Load (Lbs.)  
1000

Length (In.)  
9"

Length (mm.)  
228.6

Height (mm.)  
4 5/8"

APPLICATION AND PERFORMANCE SPECIFICATION INFORMATION IS SUBJECT TO CHANGE WITHOUT NOTIFICATION

MODEL :		TYPE
PROJECT :		
PREPARED BY :	DATE :	

ORDERING INFORMATION

Part Number: FCB800EG

Weight (lbs.): 2.31

IMS Code: 0304-8354

APPLICATION AND PERFORMANCE SPECIFICATION INFORMATION IS SUBJECT TO CHANGE WITHOUT NOTIFICATION