

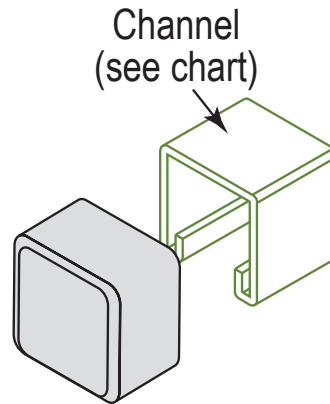
MODEL :		TYPE
PROJECT :		
PREPARED BY :	DATE :	

SERIES SPECIFICATIONS

PLASTIC END CAP WHT FOR USE WITH 1-5/8"X13/16"



LINE DRAWING



CONSTRUCTION

Finish
White

For Use with Channel
1-5/8" x 13/16"

ORDERING INFORMATION

Part Number: EC201WH

Weight (lbs.): 0.03

IMS Code: 0304-8453

APPLICATION AND PERFORMANCE SPECIFICATION INFORMATION IS SUBJECT TO CHANGE WITHOUT NOTIFICATION