

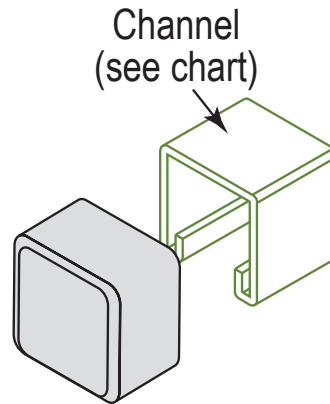
MODEL :			TYPE
PROJECT :			
PREPARED BY :		DATE :	

SERIES SPECIFICATIONS

PLASTIC END CAP RED FOR USE WITH 1-5/8"X1-5/8"



LINE DRAWING



CONSTRUCTION

Finish
Red

For Use with Channel
1-5/8" x 1-5/8"

ORDERING INFORMATION

Part Number: EC202RD

Weight (lbs.): 0.05

IMS Code: 0304-8459

APPLICATION AND PERFORMANCE SPECIFICATION INFORMATION IS SUBJECT TO CHANGE WITHOUT NOTIFICATION