

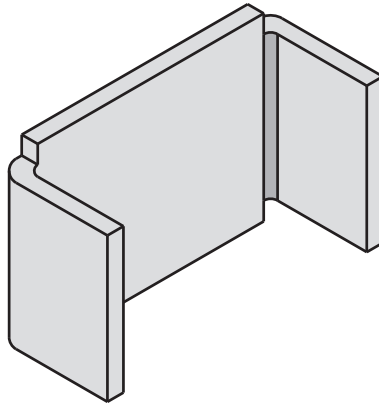
MODEL :		TYPE
PROJECT :		
PREPARED BY :	DATE :	

SERIES SPECIFICATIONS

END CAP 13/16" 14GA CHAN



LINE DRAWING



CONSTRUCTION

Finish
Electro-galvanized

For Use with Channel
13/16" 14 Ga.

ORDERING INFORMATION

Part Number: EC103

Weight (lbs.): 0.04

IMS Code: 0304-8468

APPLICATION AND PERFORMANCE SPECIFICATION INFORMATION IS SUBJECT TO CHANGE WITHOUT NOTIFICATION