

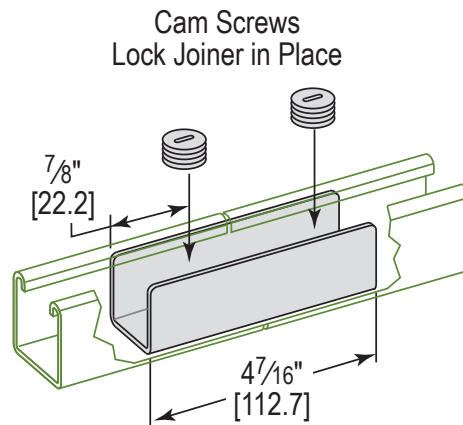
MODEL :		TYPE
PROJECT :		
PREPARED BY :	DATE :	

SERIES SPECIFICATIONS

INSIDE STRUT JOINER FOR 1-5/8" CHAN



LINE DRAWING



CONSTRUCTION

Finish
Electro-galvanized

DIMENSION

Channel Size
1-5/8" Channel

APPLICATION AND PERFORMANCE SPECIFICATION INFORMATION IS SUBJECT TO CHANGE WITHOUT NOTIFICATION

MODEL :		TYPE
PROJECT :		
PREPARED BY :	DATE :	

ORDERING INFORMATION

Part Number: ISJ81

Weight (lbs.): 0.55

IMS Code: 0304-8489

APPLICATION AND PERFORMANCE SPECIFICATION INFORMATION IS SUBJECT TO CHANGE WITHOUT NOTIFICATION