

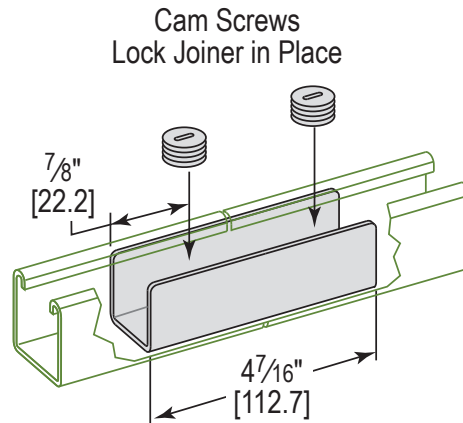
MODEL :		TYPE
PROJECT :		
PREPARED BY :	DATE :	

SERIES SPECIFICATIONS

INSIDE STRUT JOINER FOR 13/16" CHAN



LINE DRAWING



CONSTRUCTION

Finish
Electro-galvanized

DIMENSION

Channel Size
13/16" Channel

APPLICATION AND PERFORMANCE SPECIFICATION INFORMATION IS SUBJECT TO CHANGE WITHOUT NOTIFICATION

MODEL :		TYPE
PROJECT :		
PREPARED BY :	DATE :	

ORDERING INFORMATION

Part Number: ISJ80

Weight (lbs.): 0.31

IMS Code: 0304-8492

APPLICATION AND PERFORMANCE SPECIFICATION INFORMATION IS SUBJECT TO CHANGE WITHOUT NOTIFICATION