

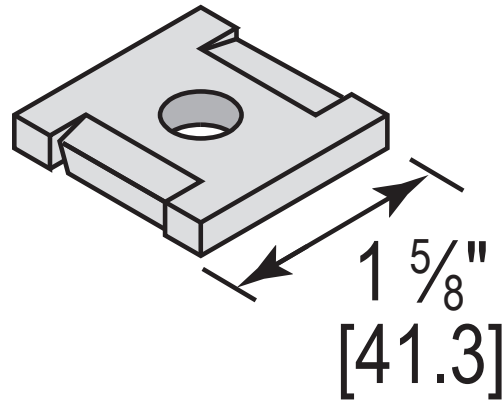
MODEL :		TYPE
PROJECT :		
PREPARED BY :	DATE :	

SERIES SPECIFICATIONS

NOTCHED SQ. WASHER 5/8"



LINE DRAWING



CONSTRUCTION

Finish
Electro-galvanized

DIMENSION

Bolt Size (In.)
5/8"

Bolt Size (mm.)
16

Length (In.)
1-5/8"

Thickness (mm.)
1/4"

APPLICATION AND PERFORMANCE SPECIFICATION INFORMATION IS SUBJECT TO CHANGE WITHOUT NOTIFICATION

MODEL :		TYPE
PROJECT :		
PREPARED BY :	DATE :	

ORDERING INFORMATION

Part Number: NSW62EG

Weight (lbs.): 0.15

IMS Code: 0304-8510

APPLICATION AND PERFORMANCE SPECIFICATION INFORMATION IS SUBJECT TO CHANGE WITHOUT NOTIFICATION