

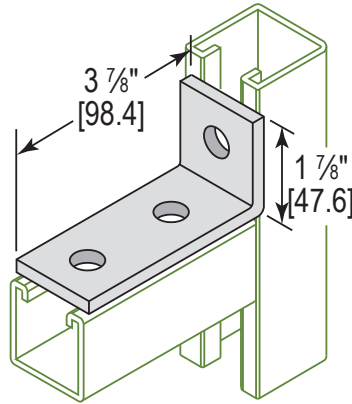
MODEL :		TYPE
PROJECT :		
PREPARED BY :	DATE :	

## SERIES SPECIFICATIONS

3 HOLE CORNER ANGLE



## LINE DRAWING



## CONSTRUCTION

Type  
Corner

Finish  
Electro-Galvanized

# of Holes  
3

## DIMENSION

Width (In.)  
1 5/8"

Slot Size  
9/16"

Length (In.)  
3 7/8"

Thickness (mm.)  
1/4"

APPLICATION AND PERFORMANCE SPECIFICATION INFORMATION IS SUBJECT TO CHANGE WITHOUT NOTIFICATION

MODEL :		TYPE
PROJECT :		
PREPARED BY :	DATE :	

ORDERING INFORMATION

Part Number: AF3

Weight (lbs.): 0.4

IMS Code: 0304-8552

APPLICATION AND PERFORMANCE SPECIFICATION INFORMATION IS SUBJECT TO CHANGE WITHOUT NOTIFICATION