

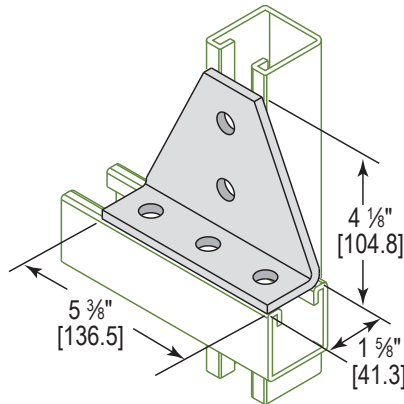
MODEL :		TYPE
PROJECT :		
PREPARED BY :	DATE :	

## SERIES SPECIFICATIONS

5 HOLE CROSS GUSSET CORNER ANGLE



## LINE DRAWING



## CONSTRUCTION

Type  
Cross Gusset Corner

Finish  
Electro-Galvanized

# of Holes  
5

## DIMENSION

Width (In.)  
 $1 \frac{5}{8}$ "

Slot Size  
 $\frac{9}{16}$ "

Length (In.)  
 $5 \frac{3}{8}$ "

Thickness (mm.)  
 $\frac{1}{4}$ "

APPLICATION AND PERFORMANCE SPECIFICATION INFORMATION IS SUBJECT TO CHANGE WITHOUT NOTIFICATION

MODEL :		TYPE
PROJECT :		
PREPARED BY :	DATE :	

ORDERING INFORMATION

Part Number: AF11

Weight (lbs.): 1.4

IMS Code: 0304-8567

APPLICATION AND PERFORMANCE SPECIFICATION INFORMATION IS SUBJECT TO CHANGE WITHOUT NOTIFICATION