

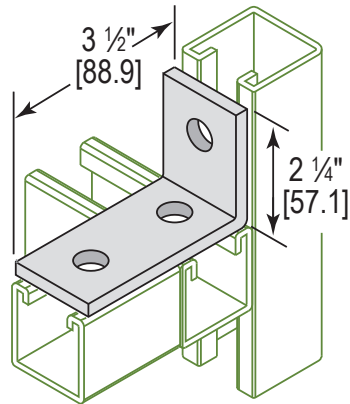
MODEL :		TYPE
PROJECT :		
PREPARED BY :	DATE :	

SERIES SPECIFICATIONS

3 HOLE 3 WAY CORNER ANGLE



LINE DRAWING



CONSTRUCTION

Type
3 Way Corner

Finish
Electro-Galvanized

of Holes
3

DIMENSION

Width (In.)
1 5/8"

Slot Size
9/16"

Length (In.)
3 1/2"

Thickness (mm.)
1/4"

APPLICATION AND PERFORMANCE SPECIFICATION INFORMATION IS SUBJECT TO CHANGE WITHOUT NOTIFICATION

MODEL :		TYPE
PROJECT :		
PREPARED BY :	DATE :	

ORDERING INFORMATION

Part Number: AF13

Weight (lbs.): 0.52

IMS Code: 0304-8570

APPLICATION AND PERFORMANCE SPECIFICATION INFORMATION IS SUBJECT TO CHANGE WITHOUT NOTIFICATION