

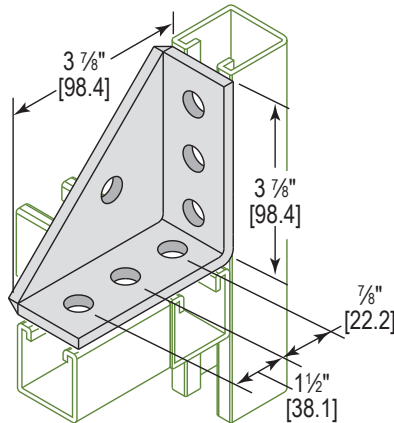
MODEL :			TYPE
PROJECT :			
PREPARED BY :		DATE :	

SERIES SPECIFICATIONS

7 HOLE UNV GUSSET CORNER ANGLE



LINE DRAWING



CONSTRUCTION

Type
Universal Gusset Corner

Finish
Electro-Galvanized

of Holes
7

DIMENSION

Width (In.)
 $1\frac{5}{8}$ "

Slot Size
 $\frac{9}{16}$ "

Length (In.)
 $3\frac{1}{2}$ "

Thickness (mm.)
 $\frac{1}{4}$ "

APPLICATION AND PERFORMANCE SPECIFICATION INFORMATION IS SUBJECT TO CHANGE WITHOUT NOTIFICATION

MODEL :		TYPE
PROJECT :		
PREPARED BY :	DATE :	

ORDERING INFORMATION

Part Number: AF17

Weight (lbs.): 1.51

IMS Code: 0304-8573

APPLICATION AND PERFORMANCE SPECIFICATION INFORMATION IS SUBJECT TO CHANGE WITHOUT NOTIFICATION