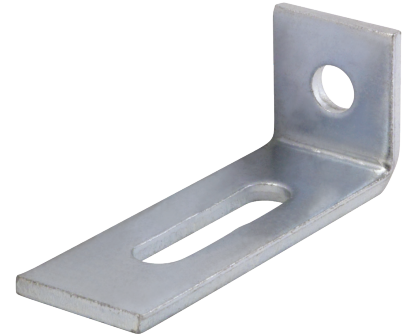


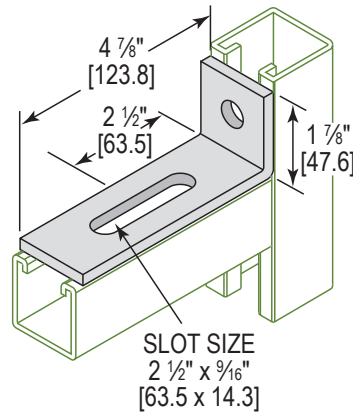
MODEL :		TYPE
PROJECT :		
PREPARED BY :	DATE :	

## SERIES SPECIFICATIONS

2 HOLE 4-7/8" ADJ CORNER ANGLE



## LINE DRAWING



## CONSTRUCTION

Type  
Adjustable Corner

Finish  
Electro-Galvanized

# of Holes  
2

## DIMENSION

Width (In.)  
1 5/8"

Slot Size  
2 1/2" x 9/16"

Length (In.)  
4 7/8"

Thickness (mm.)  
1/4"

APPLICATION AND PERFORMANCE SPECIFICATION INFORMATION IS SUBJECT TO CHANGE WITHOUT NOTIFICATION

MODEL :		TYPE
PROJECT :		
PREPARED BY :	DATE :	

ORDERING INFORMATION

Part Number: AF21

Weight (lbs.): 0.58

IMS Code: 0304-8579

APPLICATION AND PERFORMANCE SPECIFICATION INFORMATION IS SUBJECT TO CHANGE WITHOUT NOTIFICATION