

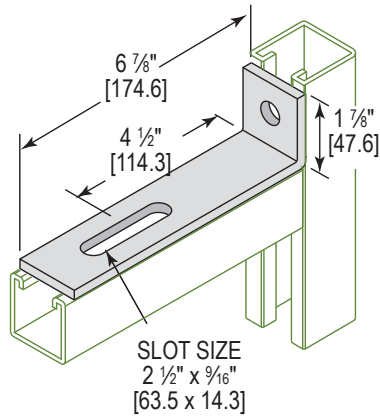
MODEL :		TYPE
PROJECT :		
PREPARED BY :	DATE :	

SERIES SPECIFICATIONS

2 HOLE 6-7/8" ADJ CORNER ANGLE



LINE DRAWING



CONSTRUCTION

Type
Adjustable Corner

Finish
Electro-Galvanized

of Holes
2

DIMENSION

Width (In.)
1 5/8"

Slot Size
2 1/2" x 9/16"

Length (In.)
6 7/8"

Thickness (mm.)
1/4"

APPLICATION AND PERFORMANCE SPECIFICATION INFORMATION IS SUBJECT TO CHANGE WITHOUT NOTIFICATION

MODEL :		TYPE
PROJECT :		
PREPARED BY :	DATE :	

ORDERING INFORMATION

Part Number: AF22

Weight (lbs.): 0.8

IMS Code: 0304-8582

APPLICATION AND PERFORMANCE SPECIFICATION INFORMATION IS SUBJECT TO CHANGE WITHOUT NOTIFICATION