

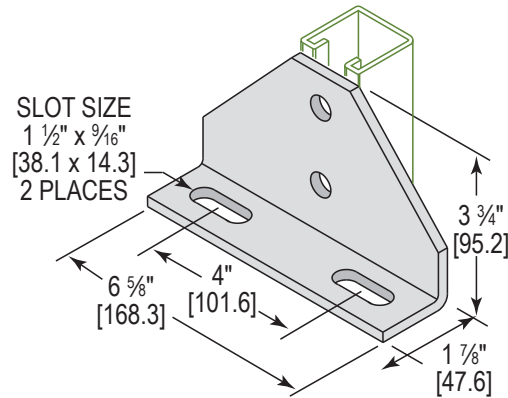
MODEL :		TYPE
PROJECT :		
PREPARED BY :	DATE :	

SERIES SPECIFICATIONS

4 HOLE 6-5/8" ADJ GUSSET CORNER ANGLE



LINE DRAWING



CONSTRUCTION

Type
Adjustable Gusset

Finish
Electro-Galvanized

of Holes
4

DIMENSION

Width (In.)
6 $\frac{5}{8}''$

Slot Size
 $1\frac{1}{2}'' \times \frac{9}{16}''$

Length (In.)
1 $\frac{7}{8}''$

Thickness (mm.)
 $\frac{1}{4}''$

APPLICATION AND PERFORMANCE SPECIFICATION INFORMATION IS SUBJECT TO CHANGE WITHOUT NOTIFICATION

MODEL :		TYPE
PROJECT :		
PREPARED BY :	DATE :	

ORDERING INFORMATION

Part Number: AF25

Weight (lbs.): 1.62

IMS Code: 0304-8591

APPLICATION AND PERFORMANCE SPECIFICATION INFORMATION IS SUBJECT TO CHANGE WITHOUT NOTIFICATION