

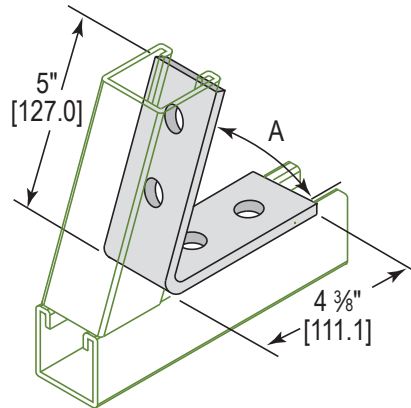
MODEL :		TYPE
PROJECT :		
PREPARED BY :	DATE :	

SERIES SPECIFICATIONS

4 HOLE CLOSED 45° CORNER ANGLE



LINE DRAWING



CONSTRUCTION

Type
Closed 45°

Finish
Electro-Galvanized

of Holes
4

DIMENSION

Width (In.)
1 5/8"

Slot Size
9/16"

Length (In.)
4 3/8"

Thickness (mm.)
1/4"

APPLICATION AND PERFORMANCE SPECIFICATION INFORMATION IS SUBJECT TO CHANGE WITHOUT NOTIFICATION

MODEL :		TYPE
PROJECT :		
PREPARED BY :	DATE :	

ORDERING INFORMATION

Part Number: AF33

Weight (lbs.): 0.93

IMS Code: 0304-8615

APPLICATION AND PERFORMANCE SPECIFICATION INFORMATION IS SUBJECT TO CHANGE WITHOUT NOTIFICATION