

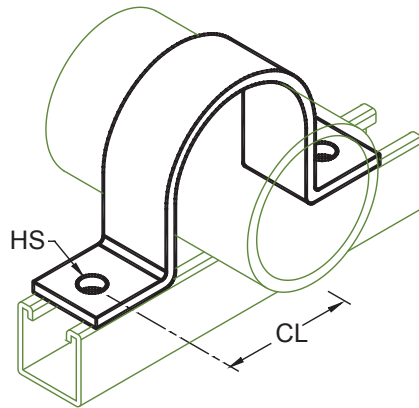
MODEL :		TYPE
PROJECT :		
PREPARED BY :	DATE :	

SERIES SPECIFICATIONS

PIPE STRAP 1"



LINE DRAWING



CONSTRUCTION

Finish
Electro-galvanized

DIMENSION

Pipe Size (In.)
1"

Pipe Size (mm.)
25

CL (In.)
1-5/16"

CL (mm.)
28.6

HS (In.)
5/16"

HS (mm.)
7.9

APPLICATION AND PERFORMANCE SPECIFICATION INFORMATION IS SUBJECT TO CHANGE WITHOUT NOTIFICATION

MODEL :		TYPE
PROJECT :		
PREPARED BY :	DATE :	

ORDERING INFORMATION

Part Number: PS100EG

Weight (lbs.): 0.29

IMS Code: 0304-8687

APPLICATION AND PERFORMANCE SPECIFICATION INFORMATION IS SUBJECT TO CHANGE WITHOUT NOTIFICATION