

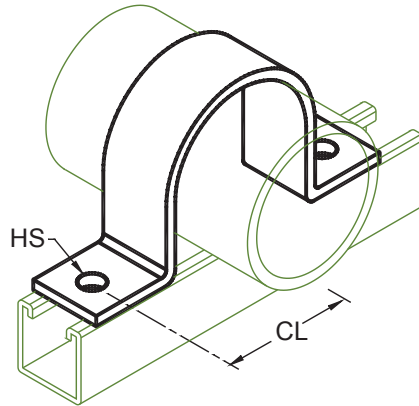
MODEL :		TYPE
PROJECT :		
PREPARED BY :	DATE :	

SERIES SPECIFICATIONS

PIPE STRAP 1-1/4"



LINE DRAWING



CONSTRUCTION

Finish
Electro-galvanized

DIMENSION

Pipe Size (In.)
1-1/4"

Pipe Size (mm.)
32

CL (In.)
1-7/16"

CL (mm.)
33.3

HS (In.)
5/16"

HS (mm.)
7.9

APPLICATION AND PERFORMANCE SPECIFICATION INFORMATION IS SUBJECT TO CHANGE WITHOUT NOTIFICATION

MODEL :		TYPE
PROJECT :		
PREPARED BY :	DATE :	

ORDERING INFORMATION

Part Number: PS125EG

Weight (lbs.): 0.34

IMS Code: 0304-8690

APPLICATION AND PERFORMANCE SPECIFICATION INFORMATION IS SUBJECT TO CHANGE WITHOUT NOTIFICATION