

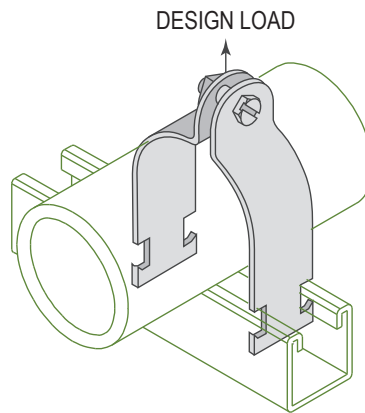
MODEL :		TYPE
PROJECT :		
PREPARED BY :	DATE :	

SERIES SPECIFICATIONS

EMT STRUT CLAMP 1"



LINE DRAWING



CONSTRUCTION

Type
EMT

Design Load (Lbs.)
600

Design Load - kN
2.67

Finish
Electro-Galvanized

DIMENSION

Size (In.)
1"

Size (mm.)
25

O.D. (In.)
1.163

O.D. (mm.)
29.5

APPLICATION AND PERFORMANCE SPECIFICATION INFORMATION IS SUBJECT TO CHANGE WITHOUT NOTIFICATION

MODEL :		TYPE
PROJECT :		
PREPARED BY :	DATE :	

ORDERING INFORMATION

Part Number: ESC100EG

Weight (lbs.): 0.14

IMS Code: 0304-8741

APPLICATION AND PERFORMANCE SPECIFICATION INFORMATION IS SUBJECT TO CHANGE WITHOUT NOTIFICATION