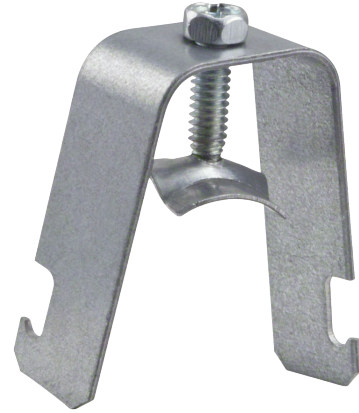


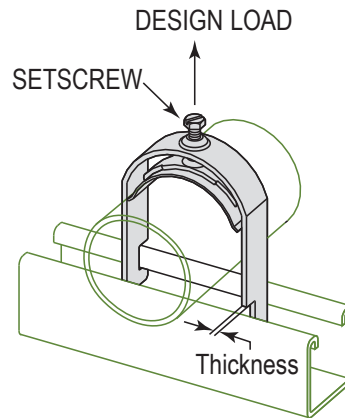
MODEL :			TYPE
PROJECT :			
PREPARED BY :		DATE :	

SERIES SPECIFICATIONS

1 PC UNV STRUT CLAMP 3/8"



LINE DRAWING



CONSTRUCTION

Type
One Piece Universal

Design Load (Lbs.)
200

Design Load - kN
0.91

Finish
Electro-galvanized

DIMENSION

EMT Size (In.)
3/8"

EMT Size (mm.)
10

Thickness (ga.)
16 Ga.

Thickness (mm.)
1.5

Rigid Conduit Size (In.)
--

Rigid Conduit Size (mm.)
--

APPLICATION AND PERFORMANCE SPECIFICATION INFORMATION IS SUBJECT TO CHANGE WITHOUT NOTIFICATION

MODEL :	TYPE	
PROJECT :		
PREPARED BY :	DATE :	

ORDERING INFORMATION

Part Number: OPUSC037EG

Weight (lbs.): 7

IMS Code: 0304-8753

APPLICATION AND PERFORMANCE SPECIFICATION INFORMATION IS SUBJECT TO CHANGE WITHOUT NOTIFICATION