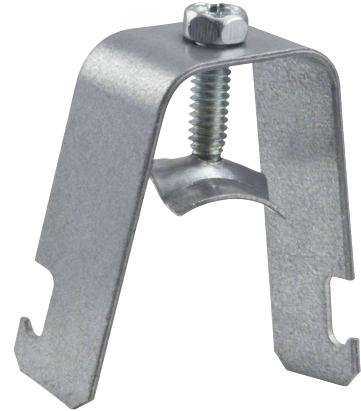


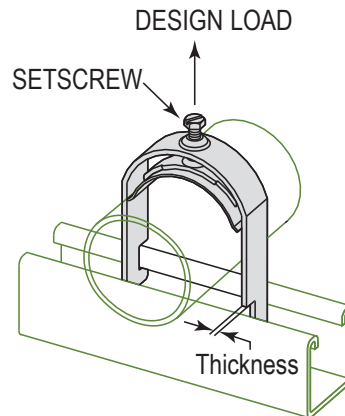
MODEL :		TYPE
PROJECT :		
PREPARED BY :	DATE :	

## SERIES SPECIFICATIONS

1 PC UNV STRUT CLAMP 3/4"



## LINE DRAWING



## CONSTRUCTION

Type  
One Piece Universal

Design Load (Lbs.)  
200

Design Load - kN  
0.91

Finish  
Electro-galvanized

## DIMENSION

EMT Size (In.)  
3/4"

EMT Size (mm.)  
20

Thickness (ga.)  
16 Ga.

Thickness (mm.)  
1.5

Rigid Conduit Size (In.)  
1/2"

Rigid Conduit Size (mm.)  
15

APPLICATION AND PERFORMANCE SPECIFICATION INFORMATION IS SUBJECT TO CHANGE WITHOUT NOTIFICATION

MODEL :		TYPE
PROJECT :		
PREPARED BY :	DATE :	

ORDERING INFORMATION

Part Number: OPUSC075EG

Weight (lbs.): 8

IMS Code: 0304-8759

APPLICATION AND PERFORMANCE SPECIFICATION INFORMATION IS SUBJECT TO CHANGE WITHOUT NOTIFICATION