

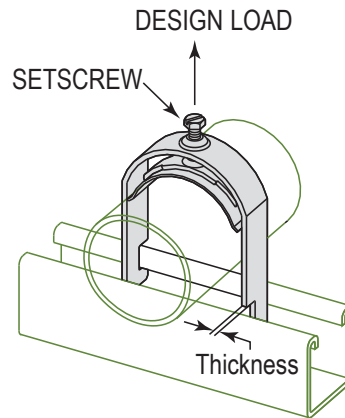
MODEL :		TYPE
PROJECT :		
PREPARED BY :	DATE :	

## SERIES SPECIFICATIONS

1 PC UNV STRUT CLAMP 1-1/4"



## LINE DRAWING



## CONSTRUCTION

Type  
One Piece Universal

Design Load (Lbs.)  
300

Design Load - kN  
1.36

Finish  
Electro-galvanized

## DIMENSION

EMT Size (In.)  
1-1/4"

EMT Size (mm.)  
32

Thickness (ga.)  
14 Ga.

Thickness (mm.)  
1.9

Rigid Conduit Size (In.)  
1"

Rigid Conduit Size (mm.)  
25

APPLICATION AND PERFORMANCE SPECIFICATION INFORMATION IS SUBJECT TO CHANGE WITHOUT NOTIFICATION

MODEL :	TYPE	
PROJECT :		
PREPARED BY :	DATE :	

ORDERING INFORMATION

Part Number: OPUSC125EG

Weight (lbs.): 12.5

IMS Code: 0304-8765

APPLICATION AND PERFORMANCE SPECIFICATION INFORMATION IS SUBJECT TO CHANGE WITHOUT NOTIFICATION