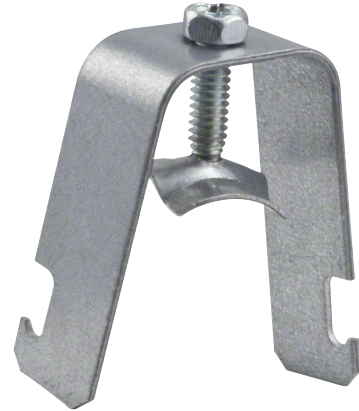


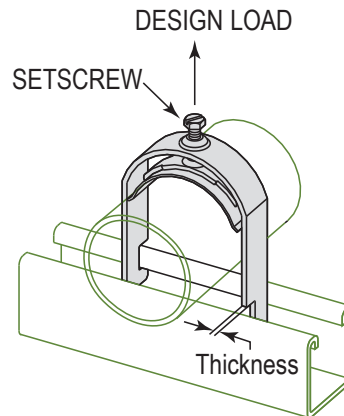
MODEL :		TYPE
PROJECT :		
PREPARED BY :	DATE :	

SERIES SPECIFICATIONS

1 PC UNV STRUT CLAMP 1-1/2"



LINE DRAWING



CONSTRUCTION

Type
One Piece Universal

Design Load (Lbs.)
400

Design Load - kN
1.78

Finish
Electro-galvanized

DIMENSION

EMT Size (In.)
1-1/2"

EMT Size (mm.)
40

Thickness (ga.)
12 Ga.

Thickness (mm.)
2.6

Rigid Conduit Size (In.)
1-1/4"

Rigid Conduit Size (mm.)
32

APPLICATION AND PERFORMANCE SPECIFICATION INFORMATION IS SUBJECT TO CHANGE WITHOUT NOTIFICATION

MODEL :		TYPE
PROJECT :		
PREPARED BY :	DATE :	

ORDERING INFORMATION

Part Number: OPUSC150EG

Weight (lbs.): 20.5

IMS Code: 0304-8768

APPLICATION AND PERFORMANCE SPECIFICATION INFORMATION IS SUBJECT TO CHANGE WITHOUT NOTIFICATION