

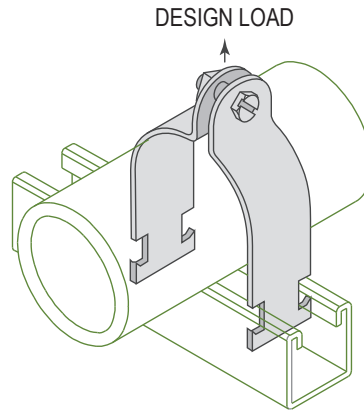
| | | |
|---------------|--------|------|
| MODEL : | | TYPE |
| PROJECT : | | |
| PREPARED BY : | DATE : | |

SERIES SPECIFICATIONS

RIGID STRUT CLAMP 8"



LINE DRAWING



CONSTRUCTION

Type
Rigid

Design Load (Lbs.)
1000

Design Load - kN
4.45

Finish
Electro-Galvanized

DIMENSION

Size (In.)
8"

Size (mm.)
200

O.D. (In.)
8.625

O.D. (mm.)
219.1

APPLICATION AND PERFORMANCE SPECIFICATION INFORMATION IS SUBJECT TO CHANGE WITHOUT NOTIFICATION

| | | |
|---------------|--------|------|
| MODEL : | | TYPE |
| PROJECT : | | |
| PREPARED BY : | DATE : | |

ORDERING INFORMATION

Part Number: RSC800EG

Weight (lbs.): 1.07

IMS Code: 0304-8819

APPLICATION AND PERFORMANCE SPECIFICATION INFORMATION IS SUBJECT TO CHANGE WITHOUT NOTIFICATION