

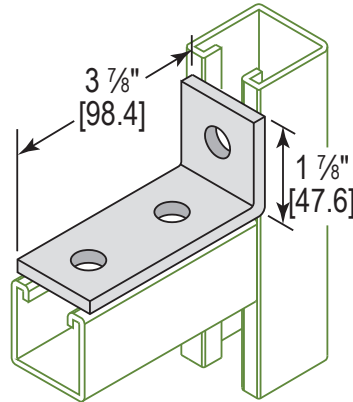
MODEL :		TYPE
PROJECT :		
PREPARED BY :	DATE :	

SERIES SPECIFICATIONS

3 HOLE CORNER ANGLE



LINE DRAWING



CONSTRUCTION

Type
Corner

Finish
Hot-dip Galvanized

of Holes
3

DIMENSION

Width (In.)
1 5/8"

Slot Size
9/16"

Length (In.)
3 7/8"

Thickness (mm.)
1/4"

APPLICATION AND PERFORMANCE SPECIFICATION INFORMATION IS SUBJECT TO CHANGE WITHOUT NOTIFICATION

MODEL :		TYPE
PROJECT :		
PREPARED BY :	DATE :	

ORDERING INFORMATION

Part Number: AF3HD

Weight (lbs.): 0.4

IMS Code: 0304-8909

APPLICATION AND PERFORMANCE SPECIFICATION INFORMATION IS SUBJECT TO CHANGE WITHOUT NOTIFICATION