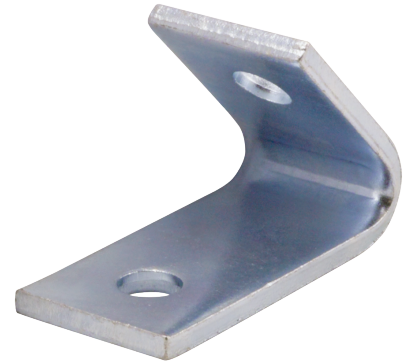


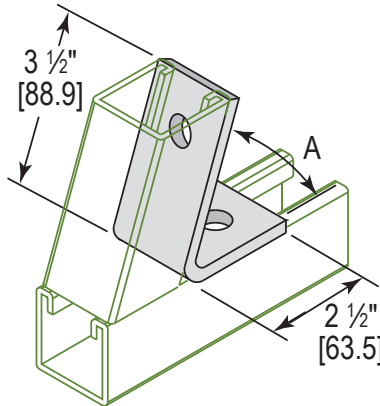
MODEL :		TYPE
PROJECT :		
PREPARED BY :	DATE :	

SERIES SPECIFICATIONS

2 HOLE CLOSED 45° CORNER ANGLE



LINE DRAWING



CONSTRUCTION

Type
Closed 45°

Finish
Hot-dip Galvanized

of Holes
2

DIMENSION

Width (In.)
1 5/8"

Slot Size
9/16"

Length (In.)
2 1/2"

Thickness (mm.)
1/4"

APPLICATION AND PERFORMANCE SPECIFICATION INFORMATION IS SUBJECT TO CHANGE WITHOUT NOTIFICATION

MODEL :	TYPE
PROJECT :	
PREPARED BY :	DATE :

ORDERING INFORMATION

Part Number: AF31HD

Weight (lbs.): 0.56

IMS Code: 0304-8918

APPLICATION AND PERFORMANCE SPECIFICATION INFORMATION IS SUBJECT TO CHANGE WITHOUT NOTIFICATION