

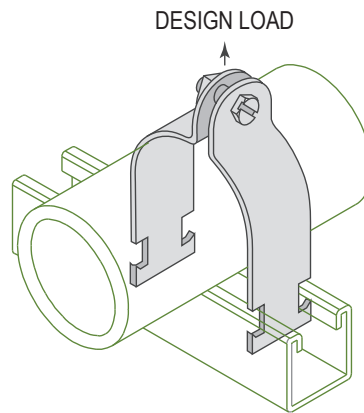
MODEL :		TYPE
PROJECT :		
PREPARED BY :	DATE :	

## SERIES SPECIFICATIONS

RIGID STRUT CLAMP 4"



## LINE DRAWING



## CONSTRUCTION

Type  
Rigid

Design Load (Lbs.)  
1000

Design Load - kN  
4.45

Finish  
Hot-dip Galvanized

## DIMENSION

Size (In.)  
4"

Size (mm.)  
100

O.D. (In.)  
4.5

O.D. (mm.)  
114.3

APPLICATION AND PERFORMANCE SPECIFICATION INFORMATION IS SUBJECT TO CHANGE WITHOUT NOTIFICATION

MODEL :		TYPE
PROJECT :		
PREPARED BY :	DATE :	

ORDERING INFORMATION

Part Number: RSC400HD

Weight (lbs.): 0.62

IMS Code: 0304-8951

APPLICATION AND PERFORMANCE SPECIFICATION INFORMATION IS SUBJECT TO CHANGE WITHOUT NOTIFICATION