

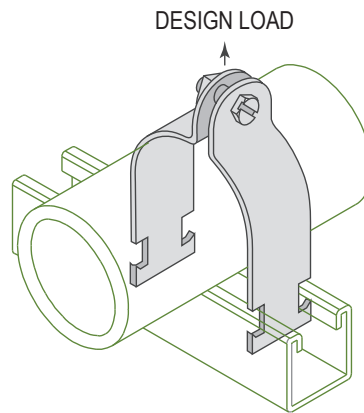
MODEL :		TYPE
PROJECT :		
PREPARED BY :	DATE :	

## SERIES SPECIFICATIONS

RIGID STRUT CLAMP 6"



## LINE DRAWING



## CONSTRUCTION

Type	Design Load (Lbs.)
Rigid	1000
Design Load - kN	Finish
4.45	Hot-dip Galvanized

## DIMENSION

Size (In.)	Size (mm.)
6"	150
O.D. (In.)	O.D. (mm.)
6.625	168.3

APPLICATION AND PERFORMANCE SPECIFICATION INFORMATION IS SUBJECT TO CHANGE WITHOUT NOTIFICATION

MODEL :	TYPE
PROJECT :	
PREPARED BY :	DATE :

**ORDERING INFORMATION**

Part Number: RSC600HD

Weight (lbs.): 0.85

IMS Code: 0304-8957

APPLICATION AND PERFORMANCE SPECIFICATION INFORMATION IS SUBJECT TO CHANGE WITHOUT NOTIFICATION