

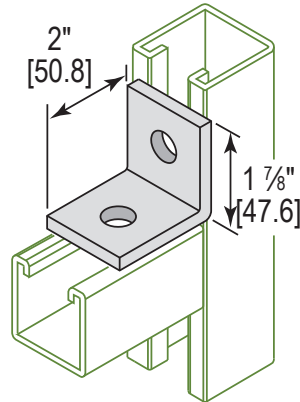
MODEL :			TYPE
PROJECT :			
PREPARED BY :		DATE :	

SERIES SPECIFICATIONS

2 HOLE CORNER ANGLE



LINE DRAWING



CONSTRUCTION

Type
Corner

Finish
304 stainless steel

of Holes
2

DIMENSION

Width (In.)
1 5/8"

Slot Size
9/16"

Length (In.)
2"

Thickness (mm.)
1/4"

APPLICATION AND PERFORMANCE SPECIFICATION INFORMATION IS SUBJECT TO CHANGE WITHOUT NOTIFICATION

MODEL :	TYPE
PROJECT :	
PREPARED BY :	DATE :

ORDERING INFORMATION

Part Number: AF2S4

Weight (lbs.): 0.36

IMS Code: 0304-9038

APPLICATION AND PERFORMANCE SPECIFICATION INFORMATION IS SUBJECT TO CHANGE WITHOUT NOTIFICATION