

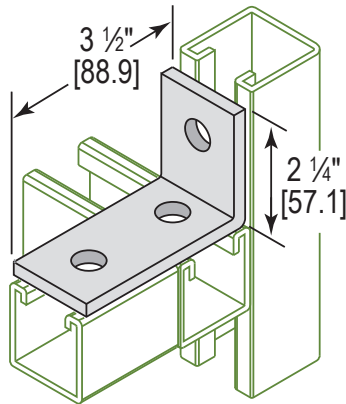
|               |        |      |
|---------------|--------|------|
| MODEL :       |        | TYPE |
| PROJECT :     |        |      |
| PREPARED BY : | DATE : |      |

## SERIES SPECIFICATIONS

3 HOLE 3 WAY CORNER ANGLE



## LINE DRAWING



## CONSTRUCTION

Type  
3 Way Corner

Finish  
304 stainless steel

# of Holes  
3

## DIMENSION

Width (In.)  
1 5/8"

Slot Size  
9/16"

Length (In.)  
3 1/2"

Thickness (mm.)  
1/4"

APPLICATION AND PERFORMANCE SPECIFICATION INFORMATION IS SUBJECT TO CHANGE WITHOUT NOTIFICATION

|               |        |      |
|---------------|--------|------|
| MODEL :       |        | TYPE |
| PROJECT :     |        |      |
| PREPARED BY : | DATE : |      |

ORDERING INFORMATION

Part Number: AF13S4

Weight (lbs.): 0.52

IMS Code: 0304-9050

APPLICATION AND PERFORMANCE SPECIFICATION INFORMATION IS SUBJECT TO CHANGE WITHOUT NOTIFICATION