

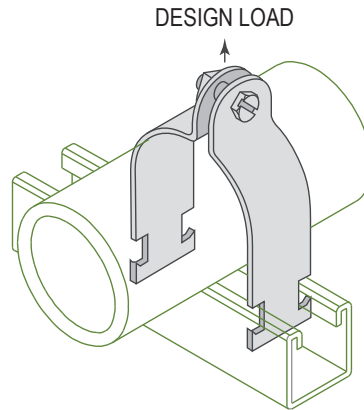
MODEL :		TYPE
PROJECT :		
PREPARED BY :	DATE :	

SERIES SPECIFICATIONS

RIGID STRUT CLAMP 6"



LINE DRAWING



CONSTRUCTION

Type
Rigid

Design Load (Lbs.)
1000

Design Load - kN
4.45

Finish
304 stainless steel

DIMENSION

Size (In.)
6"

Size (mm.)
150

O.D. (In.)
6.625

O.D. (mm.)
168.3

APPLICATION AND PERFORMANCE SPECIFICATION INFORMATION IS SUBJECT TO CHANGE WITHOUT NOTIFICATION

MODEL :		TYPE
PROJECT :		
PREPARED BY :	DATE :	

ORDERING INFORMATION

Part Number: RSC600S4

Weight (lbs.): 0.85

IMS Code: 0304-9092

APPLICATION AND PERFORMANCE SPECIFICATION INFORMATION IS SUBJECT TO CHANGE WITHOUT NOTIFICATION