

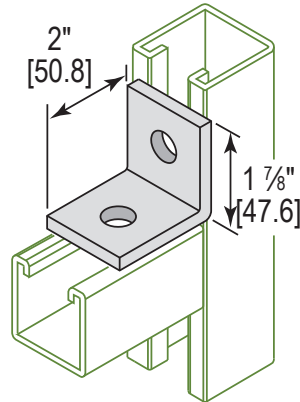
MODEL :		TYPE
PROJECT :		
PREPARED BY :	DATE :	

## SERIES SPECIFICATIONS

2 HOLE CORNER ANGLE



## LINE DRAWING



## CONSTRUCTION

Type  
Corner

Finish  
316 stainless steel

# of Holes  
2

## DIMENSION

Width (In.)  
1 5/8"

Slot Size  
9/16"

Length (In.)  
2"

Thickness (mm.)  
1/4"

APPLICATION AND PERFORMANCE SPECIFICATION INFORMATION IS SUBJECT TO CHANGE WITHOUT NOTIFICATION

MODEL :		TYPE
PROJECT :		
PREPARED BY :	DATE :	

ORDERING INFORMATION

Part Number: AF2S6

Weight (lbs.): 0.36

IMS Code: 0304-9116

APPLICATION AND PERFORMANCE SPECIFICATION INFORMATION IS SUBJECT TO CHANGE WITHOUT NOTIFICATION