

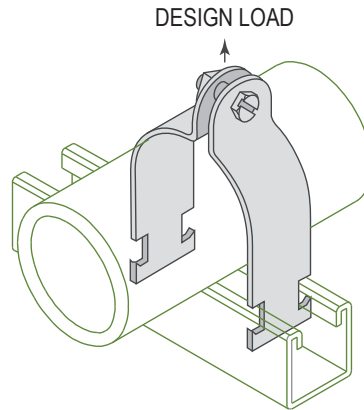
MODEL :		TYPE
PROJECT :		
PREPARED BY :	DATE :	

## SERIES SPECIFICATIONS

RIGID STRUT CLAMP 2"



## LINE DRAWING



## CONSTRUCTION

Type  
Rigid

Design Load (Lbs.)  
800

Design Load - kN  
3.56

Finish  
316 stainless steel

## DIMENSION

Size (In.)  
2"

Size (mm.)  
50

O.D. (In.)  
2.375

O.D. (mm.)  
60.3

APPLICATION AND PERFORMANCE SPECIFICATION INFORMATION IS SUBJECT TO CHANGE WITHOUT NOTIFICATION

MODEL :		TYPE
PROJECT :		
PREPARED BY :	DATE :	

ORDERING INFORMATION

Part Number: RSC200S6

Weight (lbs.): 0.33

IMS Code: 0304-9143

APPLICATION AND PERFORMANCE SPECIFICATION INFORMATION IS SUBJECT TO CHANGE WITHOUT NOTIFICATION