

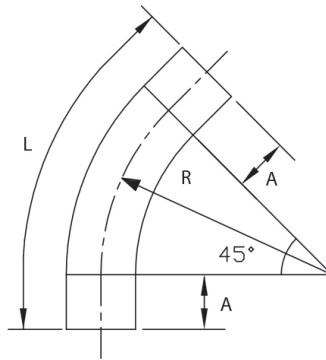
MODEL :		TYPE
PROJECT :		
PREPARED BY :	DATE :	

SERIES SPECIFICATIONS

2 1/2" 45 Degree Schedule 40 Pipe Elbow



LINE DRAWING



CONSTRUCTION

Housing Material
PVC

Size
2 1/2"

Color
Gray

Cubic Ft.
1.91

Schedule
40

Slip/Bell End
Slip/Slip

DIMENSIONS

L (In.)
14.188"

R (In.)
10.5"

A (In.)
3.0"

Degree
45

APPLICATION AND PERFORMANCE SPECIFICATION INFORMATION IS SUBJECT TO CHANGE WITHOUT NOTIFICATION

MODEL :		TYPE
PROJECT :		
PREPARED BY :	DATE :	

ORDERING INFORMATION

Part Number: EL45425

Case Dimensions (in.): 15.5" x 11.5" x 18.5"

Case Quantity: 20 PCS

Case Weight (lbs.): 24

APPLICATION AND PERFORMANCE SPECIFICATION INFORMATION IS SUBJECT TO CHANGE WITHOUT NOTIFICATION



CENTAUR
ELECTRICAL INSTALLATION

635 NW ENTERPRISE DR. PORT ST. LUCIE, FL 34986 | 772.344.9436 | WWW.CENTAURINSTALLATION.COM