

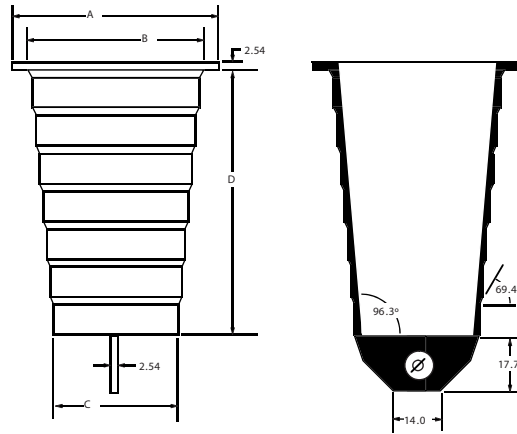
CONTRACTOR	
PROJECT	DATE
PREPARED BY	MODEL :

SERIES SPECIFICATIONS

3" PLUG W/PULL EYE



LINE DRAWING



CONSTRUCTION

Size (in.)

3 - 3.5

Grosueur Size

75-90

Ø

9.2

A (mm)

110

B (mm)

93

C (mm)

67

D (mm)

127

ORDERING INFORMATION

Part Number: PLG35

APPLICATION AND PERFORMANCE SPECIFICATION INFORMATION IS SUBJECT TO CHANGE WITHOUT NOTIFICATION