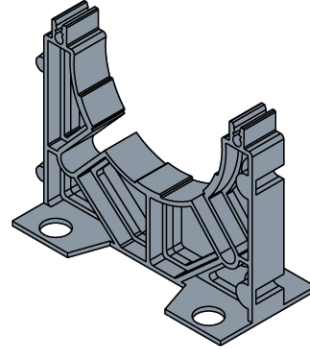


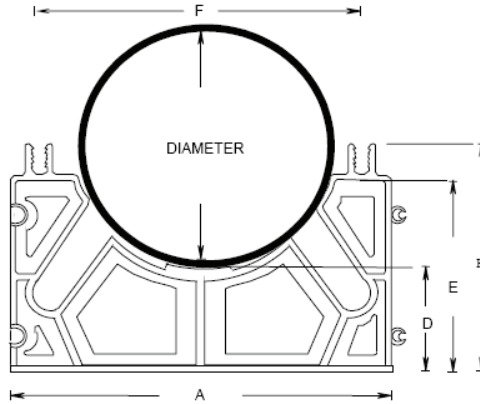
CONTRACTOR	
PROJECT	DATE
PREPARED BY	MODEL :

## SERIES SPECIFICATIONS

BASE VERTICAL-LOK SPACERS 4" X 3"



## LINE DRAWING



## CONSTRUCTION

### Material

ABS

### Size (in.)

4 x 3"

### Color

Black

### Recommended Distance

6' - 7'

### Pipe Diameter

100

### A (in.)

7.638

### D (in.)

2.992

### E (in.)

4.843

### F (in.)

6.142

### H (in.)

5.395

## ORDERING INFORMATION

**Part Number:** DS43B

**Item Weight (lbs.):** 0.415

**Case Weight (lbs.):** 20

APPLICATION AND PERFORMANCE SPECIFICATION INFORMATION IS SUBJECT TO CHANGE WITHOUT NOTIFICATION