

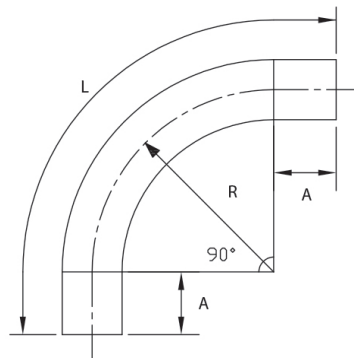
MODEL :		TYPE
PROJECT :		
PREPARED BY :	DATE :	

## SERIES SPECIFICATIONS

3 1/2" 90 Degree Schedule 40 Pipe Elbow



## LINE DRAWING



## CONSTRUCTION

Housing Material  
PVC

Size  
3 1/2"

Color  
Gray

Cubic Ft.  
37.43

Schedule  
40

Slip/Bell End  
Slip/Slip

## DIMENSIONS

L (In.)  
35.5"

R (In.)  
15"

A (In.)  
3.25"

Degree  
90

APPLICATION AND PERFORMANCE SPECIFICATION INFORMATION IS SUBJECT TO CHANGE WITHOUT NOTIFICATION

MODEL :		TYPE
PROJECT :		
PREPARED BY :	DATE :	

## ORDERING INFORMATION

Part Number: EL90435

Case Dimensions (in.): 35" x 44" x 42"

Case Quantity: 70 PCS

Case Weight (lbs.): 419

APPLICATION AND PERFORMANCE SPECIFICATION INFORMATION IS SUBJECT TO CHANGE WITHOUT NOTIFICATION



**CENTAUR**  
ELECTRICAL INSTALLATION

635 NW ENTERPRISE DR. PORT ST. LUCIE, FL 34986 | 772.344.9436 | [WWW.CENTAURINSTALLATION.COM](http://WWW.CENTAURINSTALLATION.COM)