

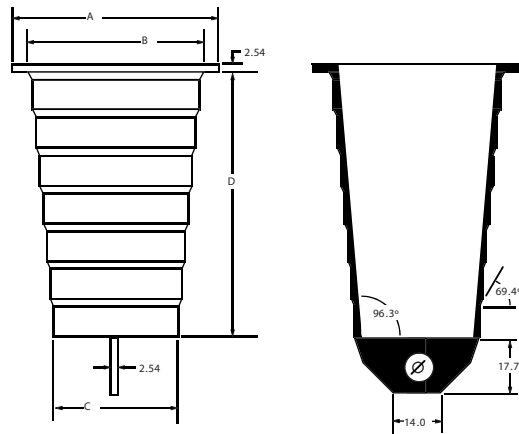
CONTRACTOR	
PROJECT	DATE
PREPARED BY	MODEL :

SERIES SPECIFICATIONS

4" PLUG W/PULL EYE



LINE DRAWING



CONSTRUCTION

Size (in.)

4

Grosueur Size

100

Ø

12.2

A (mm)

136

B (mm)

121

C (mm)

93

D (mm)

127

ORDERING INFORMATION

Part Number: PLG4

APPLICATION AND PERFORMANCE SPECIFICATION INFORMATION IS SUBJECT TO CHANGE WITHOUT NOTIFICATION